

After Power ON, the Status LED on a Clevertest Plus enabled fitting will display a rapid Green or Red flashing for a period up to 2 minutes.

Zoneworks, HIVE and DATA Monitored Options

Fittings with part numbers -ZW, -HV/-HVG, -DATA are fitted with Zoneworks communications modules (nodes). These fittings are monitored using either Powerline Carrier Technology that utilize the power cable to provide data communication, RF transceiver modules operating in the ISM band or a dedicated data cable to/from data routers installed on a dedicated data trunk connected to a central Server (can also be connected via Ethernet/Internet/Fibre). Zoneworks software on the server is used to monitor, coordinate testing and collate test data from each fitting. Zoneworks Fittings can be commissioned by a single push of the test switch or by scanning the supplied barcode. The LED Test Switch indicator provides a multifunction indication of the status of the fitting during testing and normal operation:

| Option | State | LED Operation |
|-------------------|-------------------------------------------------|----------------------------------------------------------------------------------------|
| ZW, HV, HVG, DATA | Commissioned | LED on Solid (Green) |
| ZW, DATA | Un-commissioned | Batt plugged-in: yellow 1s, green 1s |
| | | Batt unplugged: red 1s, off 1s |
| HV, HVG | Un-commissioned With network connectivity | Batt plugged-in: yellow 1s, green 1s |
| | | Batt unplugged: red 1s, off 1s |
| HV, HVG | Un-commissioned Without network connectivity | Batt plugged-in: yellow 250mS, green 250mS, yellow 250mS, green 250mS, green 1s |
| | | Batt unplugged: red 250mS, off 250mS, red 250mS, off 250mS, off 1s |
| ZW, DATA | Emergency Light Test In Progress | LED flashes at yellow 5s , Off 1s |
| HV, HVG | Emergency Light Test In Progress | LED flashes at yellow 1s , Off 1s |

In the case of the DATA version a 2-way "figure 8" cable and terminal block facilitates the connection to the DATA network via a multi-drop bus (daisy chain connection). For further information of installation of a Zoneworks system, please refer to the Zoneworks Users Guide and Commissioning Guide (incl. DATA version)

DALI EM Option

Luminaires with part numbers having -DALI are fitted with DALI modules (nodes) that facilitate connection and integration to 3rd Party Lighting Control Systems. Before installing the -DALI luminaire, please confirm that the Lighting Control System has the capability to monitor DALI Emergency Luminaires. The -DALI fitting will be addressed and configured into the control system by the Lighting Control System Commissioning Technicians and not Clevertronics.


| State | LED Operation |
|----------------------------------|------------------------------------------|
| Commissioned/ Un-commissioned | LED on Solid (Green) |
| Emergency Light Test in progress | LED flashes at 1s On (Yellow) & 1s Off |
| "IDENTIFY COMMAND" | Lamp and Status LED Flash for 30 seconds |

A 2-way "figure 8" cable and terminal block facilitates the connection to the DALI network. DALI connections are marked as Da Da.



**L10™ LIFELIGHT PRO Recessed Splash Proof
Emergency Light
Installation & Maintenance Instruction Leaflet**



Designed in Australia to comply with the requirements of AS2293.3: 2005 and AS/NZS CISPR15: 2017
NOTE: Standard product codes with this symbol  are enabled with Clevertest Plus capability. Please refer to the operation guide supplied with the product for details.

Victoria (Head Office & Manufacturing)
Website: www.clevertronics.com.au
Email: info@clevertronics.com.au
Phone: +61 3 9559 2700
Fax: +61 3 9559 2799

New South Wales
Phone: +61 2 8805 6400
Fax: +61 2 8805 6444

Queensland
Phone: +61 7 3442 9700
Fax: +61 7 3442 9777


South Australia/Northern Territory
Phone: +61 8 8301 8800
Fax: +61 8 8351 8286

Western Australia
Phone: +61 8 9207 0000
Fax: +61 8 9207 0088

New Zealand
Phone: +64 800 548 448


Models: LLIFEz-PRO-RECSP-xx-yy

Testing:

- Manual Test xx = Blank
- Zoneworks xx = ZW
- Zoneworks DATA xx = DATA
- Zoneworks HIVE xx = HV/HVG
- DALI Registered. xx = DALI 
- Clevertest xx = CT

Options:

- Maintained z = M
- Non-Maintained z = Blank
- 4 Hour runtime yy = 4HR

(NOTE: -CT Products supplied with the Clevertest Plus Symbol  are activated with Clevertest PLUS capability. Please refer to the operation guide supplied with the product for details).

Spare Parts:

- 1100761 Replacement Emergency LED
- 1530230 Replacement Battery
- AUM01370040001 Replacement Emergency Driver
- AUM01370070001 Replacement Emergency Driver (Maintained)

Important:

It is illegal for anyone, except for a licensed electrician to install or maintain this product. Before installation, ensure that the electricity supply has been switched off and isolated. Installation must be carried out in accordance with the relevant Australian and International Standards.

Installation:

This LLIFE-PRO-RECSP Recessed Emergency Luminaire can be installed on PLASTER or T-BAR ceilings or used to replace an existing unit.

- First plan the assembly layout ensuring the battery is kept away from any heat source.
- Refer Images and Dimensions below for the Cut-out Hole and other dimensions.
- For products requiring a Corridor or Area Lens, replace Lens now (see below)
- Use the two Spring Legs to mount the Head into the ceiling. **IMPORTANT:** Ensure Heads are firmly fitted flush with the mounting surface to ensure water resistance. (See IP Ratings)
- Please ensure the control pack and battery is suspended above the ceiling. If the control pack and battery are to be mounted or placed on top of the ceiling, then please ensure the ceiling is capable of supporting these elements and in compliance with the relevant regulations with respect to mounting above/on the ceiling.
- If the CTP capabilities are activated, please affix the CTP status label to a visible surface and mark an "F" in third segment of the Four Segment Marking

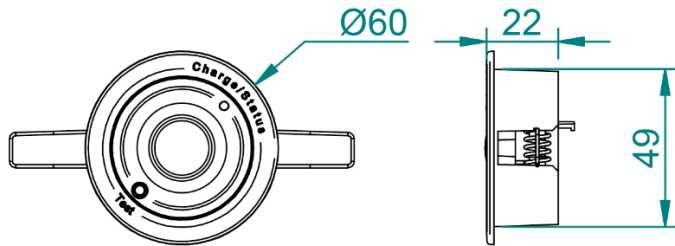


Note: due to the small head/ceiling cut-out, the plug won't fit through the hole and access from behind/above the ceiling is required for installation.

Networking:

When installing the product on a monitored network, (ZONWORKS, DATA, HIVE, DALI) simply insert the relevant Smart Node PCA.

Dimensions:



Cut-out Hole: 51mm diameter

Control gear: 232mm (L) x 40mm (W) x 40mm (H)

Battery pack: 160mm (L) x 47mm (W) x 25mm (H),

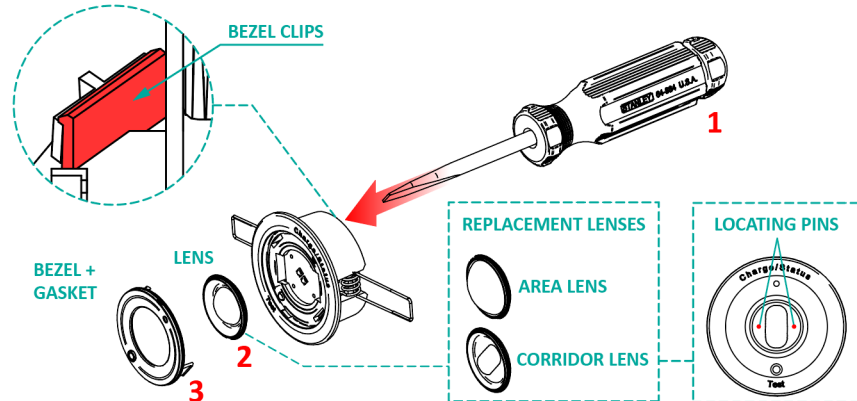
Note: 4HR version 200mm(L) x 60mm(W) x 25mm(H).

Lens Replacement:

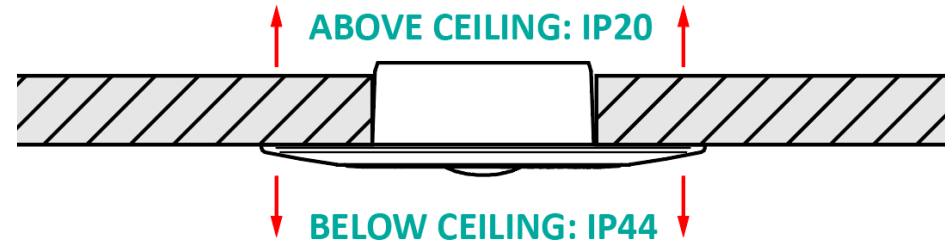
STEP 1 - Use a screwdriver to remove the Bezel, Gasket & Lens (Bezel clips highlighted below).

STEP 2 - Replace Lens (for corridor Lens align the locating pins as indicated below)

STEP 3 - Replace Bezel & Gasket (ensure Bezel is pressed firmly to ensure a proper seal)



IP Ratings:



Testing:

Once connected to the 240V mains supply, the unit must be allowed to charge the battery for at least 24 hours. Conduct the following tests:

- For the first test, the emergency lamp must remain illuminated for at least 2 hours after disconnection from the mains supply.
- Subsequent tests require the unit to illuminate for at least 90 minutes. The results of all tests are required to be recorded in a service logbook, which is to be kept on-site at all times. If the unit fails to remain illuminated for the requisite time, remedial action must be taken to repair the situation and once completed, the unit must pass a subsequent test. For more specific information, please refer to the current edition of the AS 2293.3 Standard.

Trouble Shooting:

Below are a list of common problems and their possible causes.

Fault: The Green LED Test Switch indicator is not illuminated.

Check: A.C. is connected and is turned on.
Battery is connected
Test Switch for damage.

Fault: Lamp does not illuminate in emergency mode.

Check: A.C. is connected.
Lamp is correctly inserted.
Battery is connected

Fault: Lamp illuminates in emergency mode, but only stays on for a short period.

Check: Battery has been allowed to charge for at least 24 hours.
Battery for damage.

Rated Emergency Lumen Output in accordance with AS2293.1, not applicable for -TH (theatre) version (refer to spacing tables for installation positions):

Refer to the Technical Label for classification information.

Caution:

On many building sites, power circuits may be cut off in an uncontrolled and repetitive basis during construction. As a result, any Exit & Emergency Units, on these circuits, will have their batteries discharged or "cycled". The battery in this fitting has been selected to give excellent long-life performance in a controlled AS2293 testing environment. Excessive battery cycling will reduce through-life performance and may lead to premature battery failure. Battery warranty claims, as a result of such abuse, are specifically EXCLUDED from Clevertronics warranty terms.

Warranty:

For Product Warranty information and Terms and Conditions of Sales please refer to our website <http://clevertronics.com.au/terms-conditions-sale-australia-nz/>